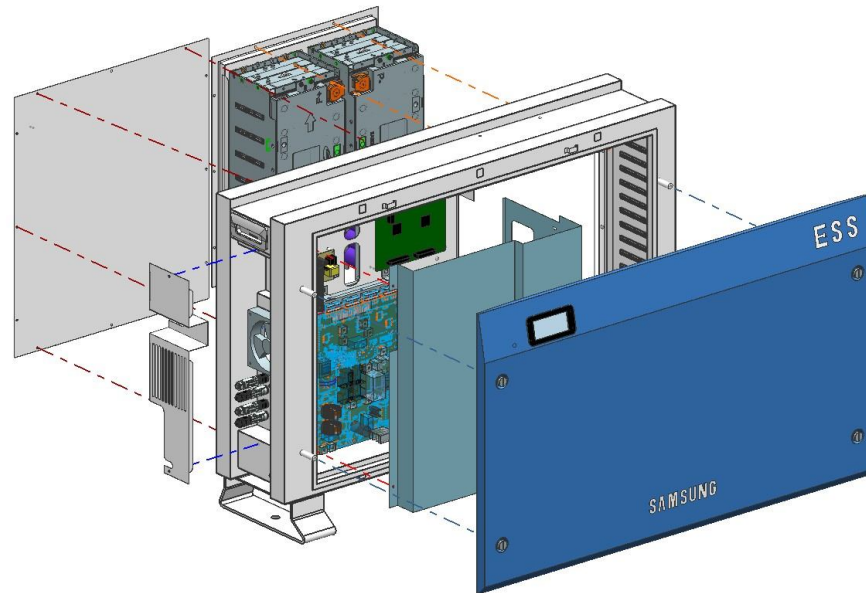


Residential Storage Systems

3,6kWh All In One - Packaging

November 2014

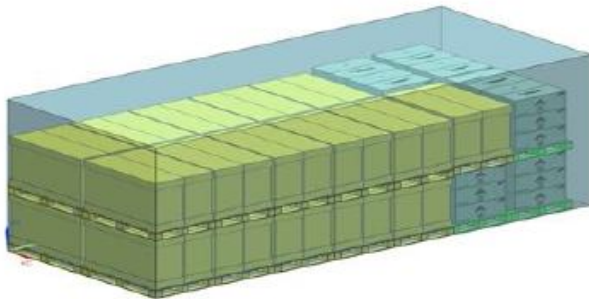


- I. Container Packaging**
- II. System - Pallet Packaging**
- III. Tray – Unit Packaging**
- IV. Tray – Pallet Packaging**
- V. Custom Tariff Numbers**

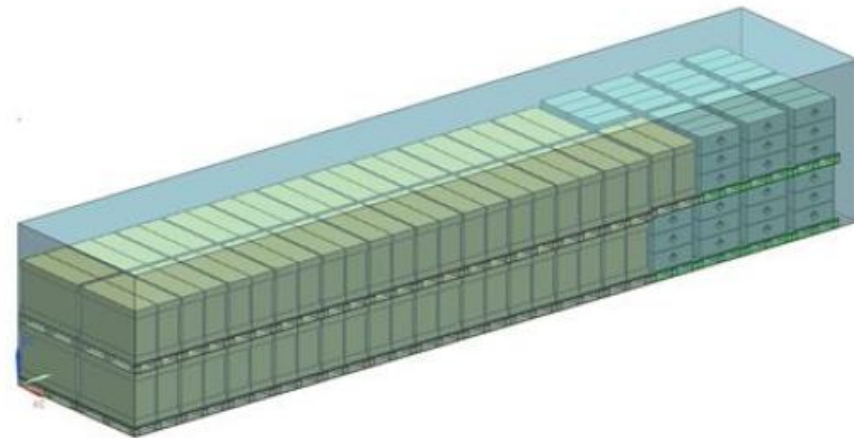
RES 3,6kWh All In One

MOQ	Q'ty	Packing	Number of Pallets	Q'ty per pallet	Volumes	Weight
20ft Container	42 Sets	System	21 Pallets	2EA	W750*L1130*H890	116 kg
		Battery Tray	7 Pallets	6EA	W1130*L750*H885	276 kg
40ft Container	90 Sets	System	45 Pallets	2EA	W1130*L750*H890	116 kg
		Battery Tray	15 Pallets	6EA	W1130*L750*H885	276 kg

Detailed Specification

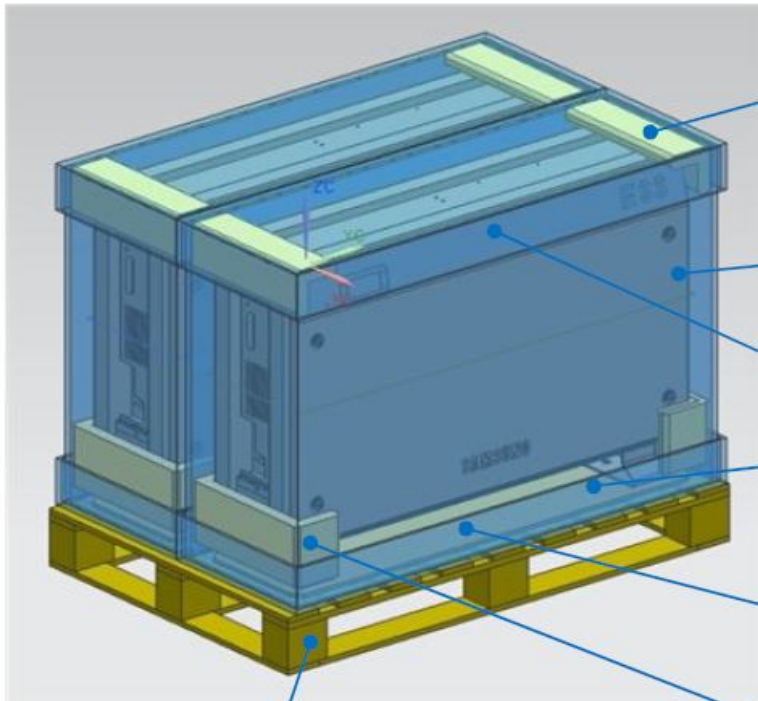


- System : 42EA (21Pallet)
- Tray : 42EA (7 Pallet)



- System : 90EA (45 Pallet)
- Tray : 90EA (15 Pallet)

RES 3,6kWh All In One



Packaging Pallet	Unit	Value
Material	-	LVL
Dimension (L x W x H)	mm	W750*L1130*H125

Cushion Top	Unit	Value
Material	-	Cushion - Angle Paper
Dimension (L x W x H)	Mm	W330x L100 x H100, 30t

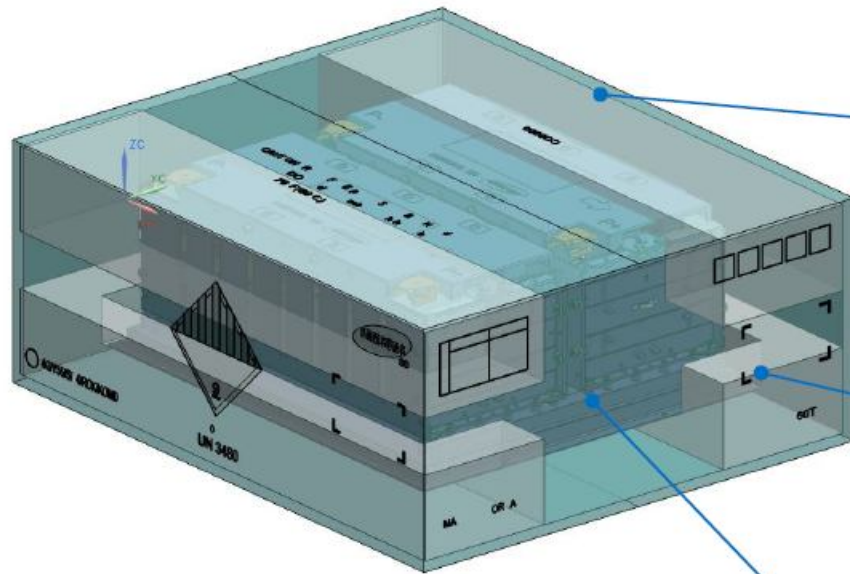
Packing middle Box	Unit	Value
Material	-	Corrugated Paper , DW(AB)
Dimension (L x W x H)	mm	W1075x L345 x H715

Packing Top, Bottom Box	Unit	Value
Material	-	Corrugated Paper , DW(AB)
Dimension (L x W x H)	mm	W1093x L363 x H100

CUSHION PAD	Unit	Value
Material	-	Corrugated Paper , DW(AB)
Dimension (L x W x H)	mm	W1020 x L280

Cushion Bottom	Unit	Value
Material	-	Cushion - Angle Paper
Dimension (L x W x H)	Mm	W330x L130 x H100, 30t

RES 3,6kWh All In One



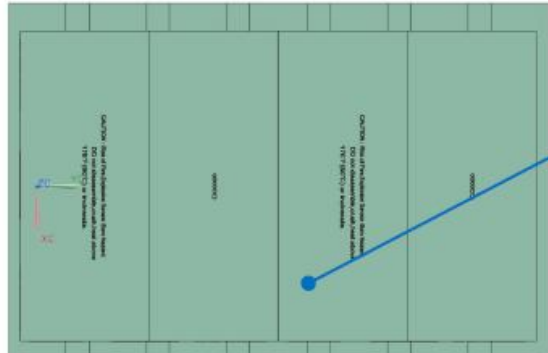
Packing Box	Unit	Value
Material	-	Corrugated Paper , DW(AB)
Dimension (L x W x H)	mm	W635 x L540 x H255

Cushion Set	Unit	Value
Material	-	Poly Ethylene
Dimension (L x W x H)	mm	W625 x L150x H90

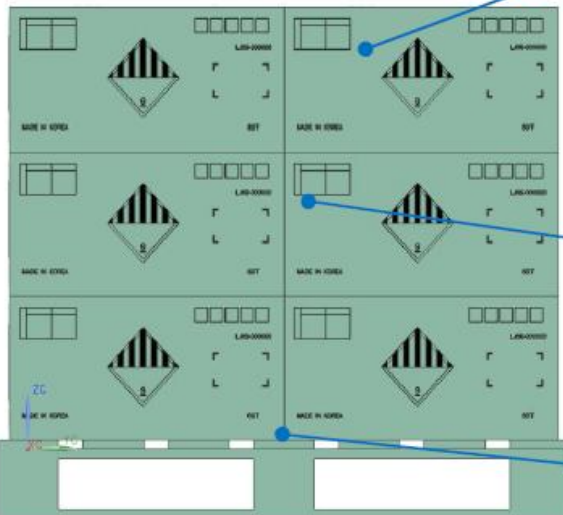
Packing Vinyl	Unit	Value
Material	-	LDPE
Dimension (L x W x H)	mm	0.05T*850(W)*1300(L), Sheet Anti-static treatment

CHEMICALS	Unit	Value
Material	-	Bentonite , 40g
Q'ty	ea	1

RES 3,6kWh All In One



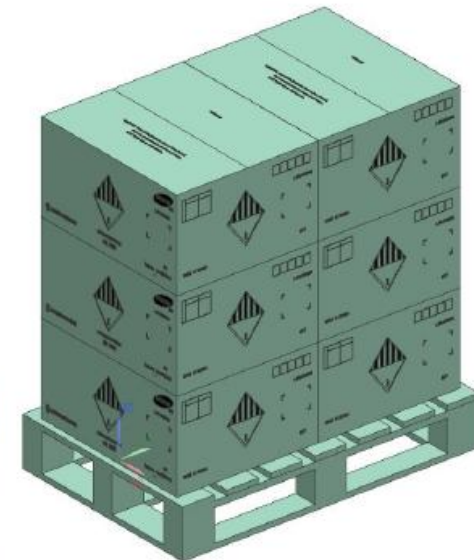
Vinyl Sheet	Unit	Value
Material	-	Poly Ethylene
Dimension (L x W x H)	mm	T0.03*W2000*L2000



Band	Unit	Value
Material	-	Poly Propylene
Dimension (L x W x H)	mm	T1.0,W18.0,10.0Kg

WRAP STRETCH FILM	Unit	Value
Material	-	Poly Ethylene
Dimension (L x W x H)	mm	T0.02

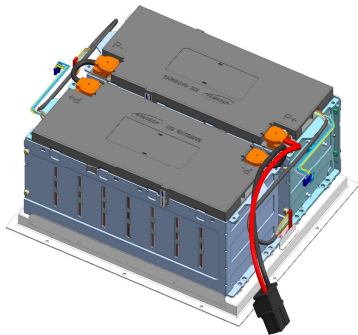
Pallet	Unit	Value
Material	-	Wood
Dimension (L x W x H)	mm	W1130 x L750 x H120



Pallet Packing (3 Levels)

RES 3,6kWh All In One

We pack into 2 parts - custom tariff numbers are as below:

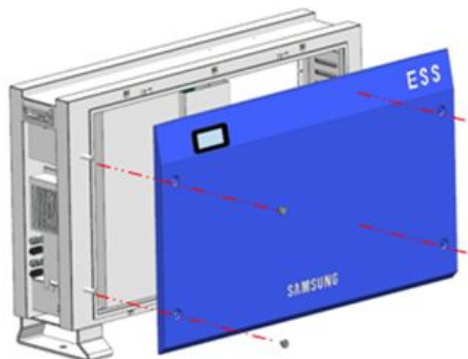
**Battery Tray**

SAMSUNG SDI Product Code: ELPT 362-00003

Korea 8507.60.0000 or 8507.60.0025 (Li-Ion Accu)

Europe 8507.6000.900

(= other Lithium Ion Batteries, 2.7% import duty will be added to the product value.)

**System Part (Inverter & Housing)**

SAMSUNG SDI Product Code: SJ94-00108A

Korea 8504.90.9000 or 8504.40.8490 (Inerter < 7.5kVA)

Europe 8504.4084.900



Energy Solution Division