

---

## Series Psm / Psr / Psf

### Accumulators type "Buffer Tank"

The accumulators of series "Ps" are produced of quality steel for accumulation of heating water. They save the energy provided by gas or fuel boiler and minimise the starts of the burner, balance the energy production from wood, woodchips and pellet boilers.

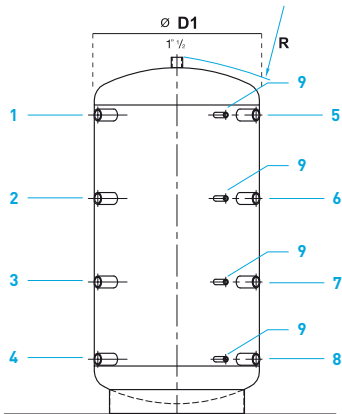
The version PSR, with an internal coil, is available for connecting of solar systems. Outside the tanks are protected by rust-proofing paint. The insulation of soft polyurethane with a PVC cover is delivered separately and available in various colours.

**Warranty: 3 years**

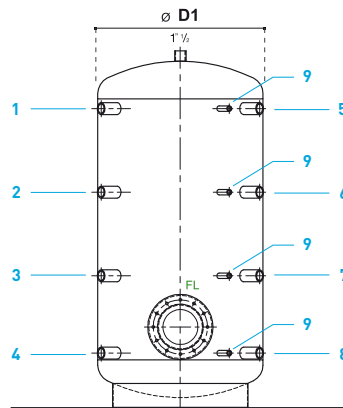


### LEGEND

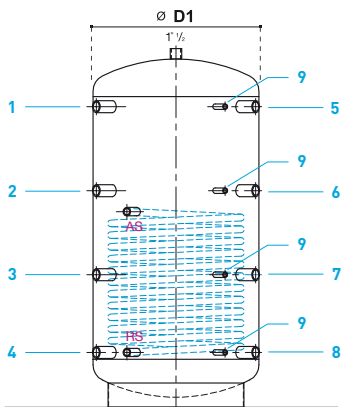
1 Wood boiler inlet	1 1/2"	9 Sensor for heating and solar systems	1/2"
2 Inlet for other heating sources	1 1/2"	AS Solar system inlet	1"
3 Wood boiler return	1 1/2"	RS Solar system return	1"
4 Return other heating sources	1 1/2"	FL Flange for finned copper exchanger.	ø300-ø210
5 Gas or fuel boiler inlet	1 1/2"	D1 Diameter without insulation	
6 Flow to the room heating system	1 1/2"	D2 Diameter with insulation	
7 Return gas or fuel boiler	1 1/2"		
8 Return of the room heating system	1 1/2"		



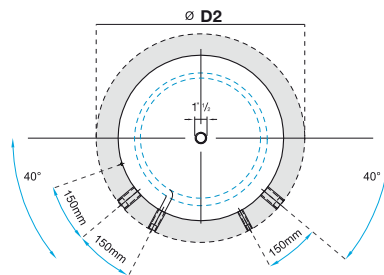
PSM



PSF



PSR



PSM - without coil  
 PSR - one coil version  
 PSF - with a flange

Tank													Solar coils			Tank				
Type	1-5	2-6	3-7	4-8	RS	AS	FL	H-HEIGHT	Ø D	ØD2 with insulation 100 mm	Height with insulation 100 mm	R Topple height without insulation	Maximum operating pressure (Bar)	Maximum operating temperature (C°)	Coil m²	Coil capacity (L)	Maximum operating pressure (Bar)	Weight (Kg) PSM	Weight (Kg) PSR	Weight (Kg) PSF
300	1110	790	460	210	210	660	290	1342	550	750	1400	1385	3	95°	1,2	7,9	10,0	57	73	64
400	1121	817	514	211	211	815	331	1371	650	850	1450	1425	3	95°	1,5	10,0	10,0	69	94	76
500	1381	1001	611	211	211	751	331	1621	650	850	1700	1670	3	95°	1,8	11,9	10,0	79	103	86
600	1394	994	594	224	224	634	351	1645	700	900	1700	1690	3	95°	1,8	11,9	10,0	84	109	91
800	1426	1026	626	256	256	926	383	1685	790	990	1760	1740	3	95°	2,4	15,9	10,0	97	130	104
1000	1709	1249	744	309	309	1029	390	2040	790	990	2090	2090	3	95°	3,0	19,8	10,0	114	156	121
1250	1699	1239	734	299	299	1019	380	2016	950	1150	2060	2090	3	95°	3,0	19,8	10,0	146	189	153
1500	1755	1345	820	375	375	1175	410	2151	1000	1200	2200	2210	3	95°	3,6	23,7	10,0	162	210	169
2000	2019	1489	899	319	319	1119	423	2376	1100	1300	2420	2450	3	95°	3,6	23,7	10,0	225	278	232
2500	2058	1528	938	358	358	1408	462	2443	1200	1400	2500	2515	3	95°	4,2	27,7	10,0	252	308	349
3000	2250	1700	950	350	350	1400	450	2644	1250	1450	2700	2705	3	95°	4,2	27,7	10,0	280	343	287
4000	2387	1837	1087	487	487	1537	567	2818	1400	1600	2880	2910	3	95°	5,0	33,0	10,0	431	498	538
5000	2400	1770	1120	540	540	1540	600	2880	1600	1800	2950	3010	3	95°	6,0	39,6	10,0	504	585	511