

## LED Academy Opal Prism



### Part Code:

1260mm: LAC12P22S40, LAC12P22S40MW, LAC12P40S40, LAC12P40S40MW

1560mm: LAC15P32S40, LAC15P32S40MW, LAC15P60S40, LAC15P60S40MW

1860mm: LAC18P45S40, LAC18P45S40MW, LAC18P80S40, LAC18P80S40MW



### ASSEMBLY AND INSTALLATION

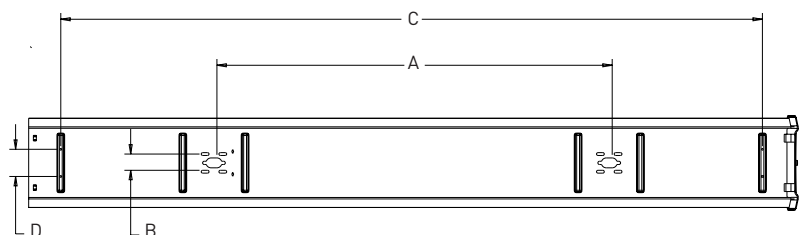
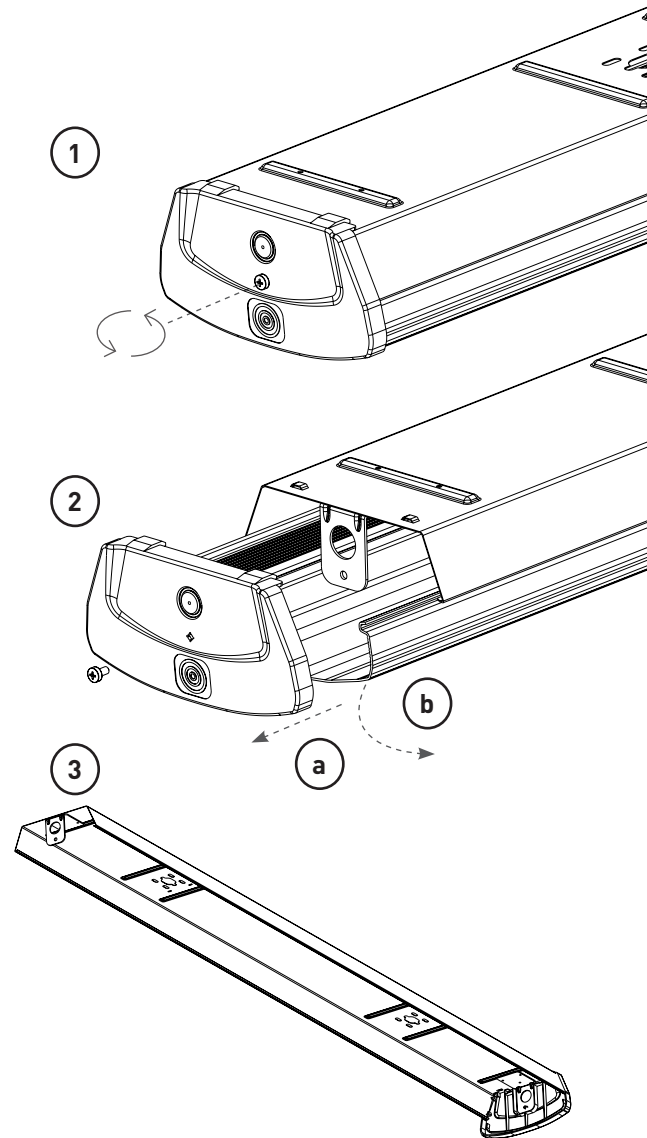
- Suitable for use with mains voltage of 220-240Vac.
- Luminaire suitable for surface mounting or suspension mounting
- Product only suitable for indoor use
- This product must be disconnected before insulation resistance testing of the lighting circuit
- Check for electrical cables and pipes before installation

**NOTE** – To comply with regulations, Installation must be carried out by suitably qualified competent person and in accordance with the current IEE Wiring Regulations (BS7671) and Building Regulations. A copy of the instructions must be left for the user/Maintenance engineer for future reference.

**For Non-UK, Please refer/consult local requirements**

**ENSURE ELECTRICAL SUPPLY IS DISCONNECTED/ ISOLATED BEFORE COMMENCING INSTALLATION**

1. Remove 1 end cap by loosening central screw and pulling end cap from main body.
2. Slide diffuser along body slightly (a), and lift to remove (b).
3. Identify a suitable mounting position, install Academy Base using suitable fittings. Ensure surface is suitable for installation. For fixing hole locations, please see table on next page.
4. For suspension mounting, LWSK415 is required (sold separate) this must be fitted to the further mounting holes (c)
5. Insert cable into fitting, either using rear cable entry, Besa fixing points or end mounted conduit entry.



Tech Help Line

UK - **0845 194 7584**

Non UK - **+44 (0)1952 238 100**

Supplied by

BG Electrical Ltd

Stafford Park 1 TF3 3BD ENGLAND

Visit our website at

**www.luceco.uk**

6. Connect to the electrical supply, observing correct polarity.
7. Refit diffuser by sliding along the base channel until secure at other end.
8. Refit end cap ensuring correct fit, and tighten screw to secure.
9. Turn on power and operate the Academy fitting as required.

## Microwave Sensor

Versions fitted with a MicroWave Sensor allow the fitting to automatically switch on when movement is detected.

MW sensor is supplied, pre-set to its optimum settings, but can be adjusted to suit requirements.

The MW sensor has a LED that will flash to show how the sensor is set.

### 1. Detection range

Maximum range of upto 10M max, based on ceiling mounting height of 2.5M. 1 flash-1M, 5 flashes - 5M, 10 flashes - 10M.

### 2. Switch On/Off time delay

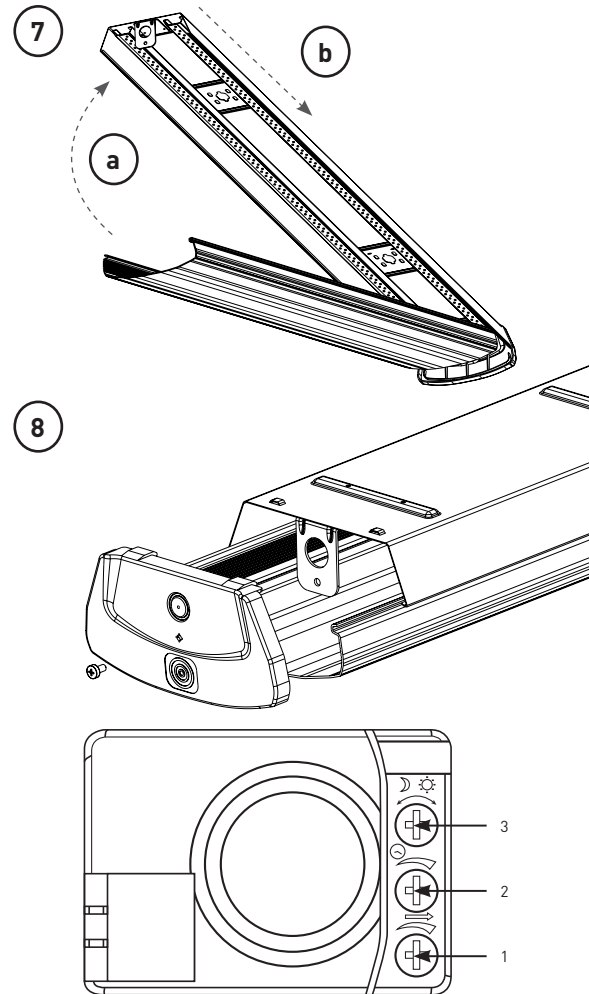
The luminaire can be set to stay ON for a period of time between approx 10 seconds to a maximum of 30 minutes. Any movement detected during the ON time will reset the timer. 1 flash-10 sec, 2 flashes-1 min, 3 flashes-2 min, 4 flashes-5 min, 6 flashes-10 min, 8 flashes-20 min, 10 flashes-30 min.

### 3. Ambient light

By detecting ambient light, the luminaire will only switch on when the light is below the set Level. 2-2000Lux.

Fully anti clockwise is 2 Lux, fully clockwise is 2000Lux.

Must be set to max, fully clockwise, to perform walk test to configure detection zone.



Academy	BESA Length (A)	BESA Width (B)	Surface Mounting Length (C)	Surface Mounting Width (D)
<b>Surface Mounting Width</b>				
LAC12P - 1260mm/4ft	800mm	35mm	926mm	55mm
LAC15P - 1560mm/5ft	800mm	35mm	1420mm	55mm
LAC18P - 1860mm/6ft	800mm	35mm	1680mm	55mm

## United Kingdom Warranty

For other territories and for further information, please see [www.luceco.uk](http://www.luceco.uk) for details

Products are protected by warranty for a period of 3 year warranty, from date of purchase against defects in material and workmanship (unless otherwise stated). Should a product fail to perform as described within the warranty period it will be repaired or replaced with the same or equivalent product by Luceco, free of charge provided that you: (1) return the product to us with shipping charge prepaid, (2) provide us with proof of the original date of purchase and (3) quote our return authorization number.

Repaired or replaced products will be returned to you with shipping charges prepaid. Replacement products may be refurbished or contain refurbished materials. If in our sole discretion, we are unable to repair or replace a defective product, we will refund the purchase price of the product.

This warranty will not apply if in our judgment, the product fails due to damage in shipment, handling, storage, accident, abuse or misuse, or if it has been used in a manner not conforming to our product instructions, has been modified in any way, or has any serial number removed or defaced. Repair or attempted repair will void this warranty. Our maximum liability under the terms of this warranty is limited to the purchase price of the product covered by the warranty.

The warranty is given under English Law. If any part of this warranty is deemed unenforceable (including any provision in which we exclude our liability to you) the enforceability of any other parts of the warranty will not be affected. These terms do not reduce your statutory rights.

**THESE TERMS AND CONDITIONS ARE SUBJECT TO CHANGE WITHOUT PRIOR NOTICE**

### Eventually, you may want to replace this fitting;

#### Environmental Protection W.E.E.E (Wheellie Bin Symbol)

This symbol is known as the "crossed-out" wheellie Bin Symbol". When this symbol is marked on a product or battery, It means that it should not be disposed of with your general household waste. Some chemicals contained within electrical/electronic products or batteries can be harmful to health and the environment. Only dispose of electrical/electronic/battery items in separate collection schemes, which cater for the recovery and recycling of materials contained within. Your co-operation is vital to ensure the success of these schemes and for the protection of the environment.



Tech Help Line

UK - **0845 194 7584**

Non UK - **+44 (0)1952 238 100**

Supplied by

BG Electrical Ltd

Stafford Park 1 TF3 3BD ENGLAND

Visit our website at

**[www.luceco.uk](http://www.luceco.uk)**