

# Single Phase Inverter

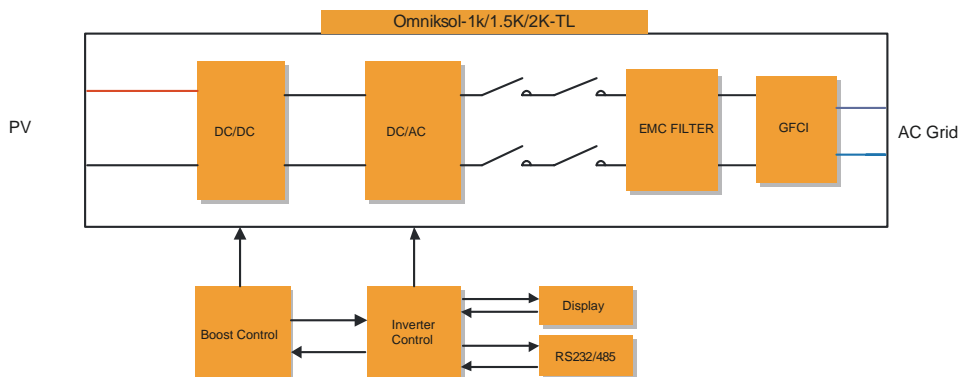
Omnisol-1k/1.5k/2k-TL



## Features

- Transformerless design, high efficiency (Max. 97.5%, Euro 96.6%)
- High MPPT accuracy (>99.9%)
- Wide DC input range(120-500 Vdc),compatible with different module technologies
- Easy to wire, install and operate
- IP 65 design, suitable for indoor and outdoor installation
- 10 years warranty

## Block Diagram



# Technical Data

## Omniksol-1k/1.5k/2k-TL

Type	Omniksol-1k-TL	Omniksol-1.5k-TL	Omniksol-2k-TL
<b>Input (DC)</b>			
Max. PV Power	1300W	1750W	2300W
Max DC Voltage	500V	500V	500V
Nominal DC Voltage	360V	360V	360V
Operating MPPT Voltage Range	80-360V	120-450V	120-450V
MPPT Voltage Range at Nominal Power	150-360V	150-450V	150-450V
Start up DC Voltage	90V	150V	150V
Turn off DC Voltage	80V	120V	120V
Max. DC Current	16A	18A	18A
Number of MPP trackers	1	1	1
Number of DC Connection	1	1	1
DC Connection Type	MC4 connector	MC4 connector	MC4 connector
<b>Output (AC)</b>			
Max. AC Power	1100W	1650W	2200W
Nominal AC Power (cos phi = 1)	1000W	1500W	2000W
Nominal Grid Voltage	220V/230V/240V	220V/230V/240V	220V/230V/240V
Nominal Grid Frequency	50Hz/60Hz	50Hz/60Hz	50Hz/60Hz
Max. AC Current	5.8A	9.0A	12.0A
Grid Voltage Range*	185-276V	185-276V	185-276V
Grid Frequency Range*	45-55Hz/55-65Hz	45-55Hz/55-65Hz	45-55Hz/55-65Hz
Power Factor	>0.99	>0.99	>0.99
Total Harmonic Distortion (THD)	<2%	<2%	<2%
Feed in Starting Power	30W	30W	30W
Night time Power Consumption	<1W	<1W	<1W
Standby Consumption	6W	6W	6W
AC Connection Type	Plug-in connector	Plug-in connector	Plug-in connector
<b>Efficiency</b>			
Max. Efficiency (at 360Vdc)	97.5%	97.5%	97.5%
Euro Efficiency (at 360Vdc)	96.3%	96.5%	96.6%
MPPT Efficiency	99.9%	99.9%	99.9%
<b>Safety and Protection</b>			
DC Insulation Monitoring		Yes	
DC Switch		Optional	
Residual Current Monitoring Unit (RCMU)		Integrated	
Grid Monitoring with Anti-islanding		Yes	
Protection Class		I (According to IEC 62103)	
Overvoltage Category		PV II / Mains III (According to IEC 62109-1)	
<b>Reference Standard</b>			
Safety Standard		EN 62109, AS/NZS 3100	
EMC Standard		EN 61000-6-1, EN 61000-6-3, EN 61000-6-2, EN 61000-6-4, EN61000-3-2, EN61000-3-3	
Grid Standard		VDE 0126-1-1, RD1663, C10/11, G83/2, UTE C15-712-1, AS4777, CQC, CEI 0-21, EN50438	
<b>Physical Structure</b>			
Dimensions (WxHxD)		330x425x130mm	
Weight		13kg	
Environmental Protection Rating		IP 65 (According to IEC 60529)	
Cooling Concept		Natural convection	
Mounting Information		Wall bracket	
<b>General Data</b>			
Operating Temperature Range		-20°C to +60°C(derating above 45°C)	
Relative Humidity		0% to 98%, no condensation	
Max. Altitude (above sea level)		2000m	
Noise Level		<40dB	
Isolation Type		Transformerless	
Display		3 LED, Backlight, 16 x 2 Character LCD	
Data Communication Interfaces		RS485(WiFi, GPRS optional)	
Computer Communication		RS232 as Option	
Standard Warranty		10 Years	

\*The AC voltage and frequency range may vary depending on specific country grid

Address: XingHu Rd. Nr. 218 bioBAY Park A4-414,  
215123, SuZhou, China  
Tel: +86-512-6956-8216  
Fax: +86-512-6295-6682  
E-mail: sales@omnik-solar.com  
Website: <http://www.omnik-solar.com>

Products updating continues. Any data change will not be informed exclusively.  
Omnik company reserves the right of final interpretation of product technical data and copyrights.

