

*Black frame product can be provided upon request.

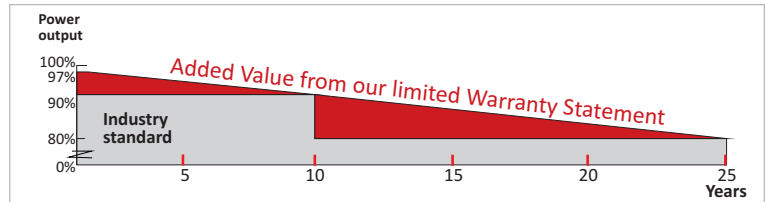
ELPS

CS6K-265 | 270MM

THE BEST IN CLASS

Canadian Solar's modules are the best in class in terms of power output and long term reliability. Our meticulous product design and stringent quality control ensure our modules deliver an exceptionally high PV energy yield in live PV system as well as in PVsyst's system simulation. Our accredited in-house PV testing facilities guarantee all module component materials meet the highest quality standards possible.

PRODUCT | WARRANTY & INSURANCE



25 Year Industry leading linear power output warranty
10 Year Product warranty on materials and workmanship



Canadian Solar provides 100% non-cancellable, immediate warranty insurance

PRODUCT & MANAGEMENT SYSTEM | CERTIFICATES*

IEC 61215 / IEC 61730: VDE / CE
UL 1703: CSA | IEC 61701 ED2: VDE | PV CYCLE (EU)

ISO9001:2008 | Quality management system
ISOTS16949:2009 | The automotive industry quality management system
ISO14001:2004 | Standards for environmental management system
QC080000:2012 | The certificate for hazardous substances process management
OHSAS 18001:2007 | International standards for occupational health and safety



*Please contact your sales representative for the entire list of certificates applicable to your products

CANADIAN SOLAR INC.

Founded in 2001 in Canada, Canadian Solar Inc., (NASDAQ: CSIQ) is the world's TOP 3 solar power company. As a leading manufacturer of solar modules and PV project developer with about 6 GW of premium quality modules deployed around the world in the past 13 years, Canadian Solar is one of the most bankable solar companies in Europe, USA, Japan and China. Canadian Solar operates in six continents with customers in over 90 countries and regions. Canadian Solar is committed to providing high quality solar products, solar system solutions and services to customers around the world.

PRODUCT | KEY FEATURES



Aesthetic module appearance



Excellent module efficiency up to 16.50%



High performance at low irradiance above 96.5%



Positive power tolerance up to 5w



Anti-glare module surface available



IP67 junction box long-term weather endurance



Heavy snow load up to 5400pa



Salt mist resistance, for seaside environment

ELECTRICAL DATA | STC

Electrical Data	CS6K-265MM	CS6K-270MM
Nominal Maximum Power (Pmax)	265 W	270 W
Optimum Operating Voltage (Vmp)	30.9 V	31.1 V
Optimum Operating Current (Imp)	8.61 A	8.67 A
Open Circuit Voltage (Voc)	37.9 V	38.2 V
Short Circuit Current (Isc)	9.11 A	9.19 A
Module Efficiency	16.19%	16.50 %
Operating Temperature	-40 °C~+85 °C	
Maximum System Voltage	1000 V (IEC) /600 V (UL)	
Maximum Series Fuse Rating	15 A	
Application Classification	Class A	
Power Tolerance	0 ~ +5 W	

*Under Standard Test Conditions (STC) of irradiance of 1000W/m², spectrum AM 1.5 and cell temperature of 25°C.

ELECTRICAL DATA | NOCT

Electrical Data	CS6K-265MM	CS6K-270MM
Nominal Maximum Power (Pmax)	191 W	195W
Optimum Operating Voltage (Vmp)	28.2 V	28.4V
Optimum Operating Current (Imp)	6.79 A	6.87A
Open Circuit Voltage (Voc)	34.8 V	35.0V
Short Circuit Current (Isc)	7.37 A	7.44A

*Under Nominal Operating Cell Temperature(NOCT), irradiance of 800 W/m², spectrum AM 1.5, ambient temperature 20°C, wind speed 1 m/s.

MODULE | MECHANICAL DATA

Specification	Data
Cell Type	ELPS Mono Cell, 6inch
Cell Arrangement	60 (6 x 10)
Dimensions	1650 x 992 x 40mm (65.0 x 39.1 x 1.57in)
Weight	19kg (41.9 lbs)
Front Cover	3.2mm tempered glass
Frame Material	Anodized aluminium alloy
J-BOX	IP67, 3 diodes
Cable	4mm ² (IEC)/12AWG(UL), 1000mm
Connectors	MC4 or MC4 comparable
Standard Packaging	26pcs
Module Pieces Per Container	728pcs (40'HQ)

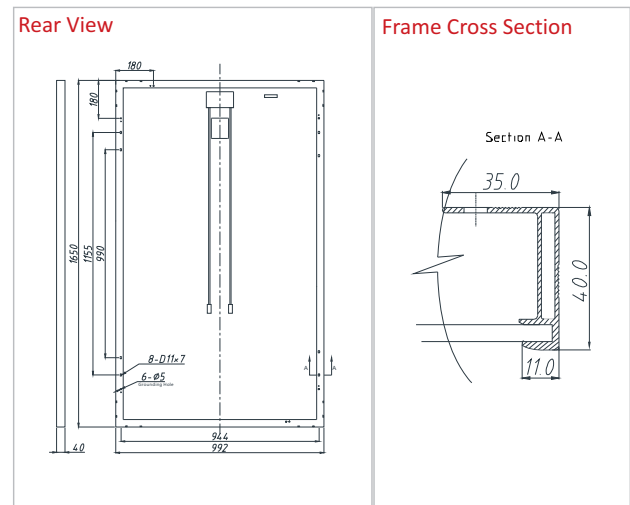
TEMPERATURE CHARACTERISTICS

Specification	Data
Temperature Coefficient (Pmax)	-0.45 %/°C
Temperature Coefficient (Voc)	-0.35 %/°C
Temperature Coefficient (Isc)	0.060 %/°C
Nominal Operating Cell Temperature	45±2 °C

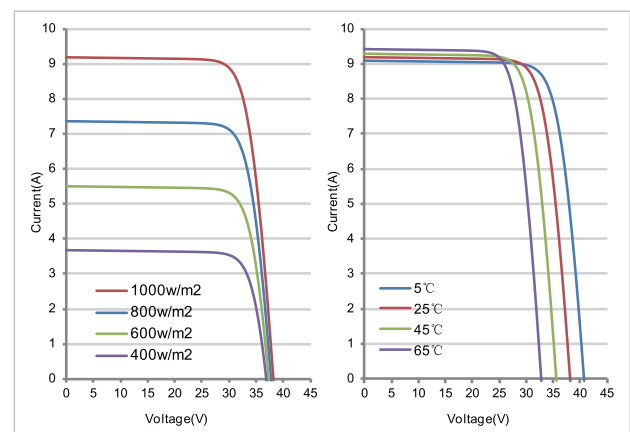
PERFORMANCE AT LOW IRRADIANCE

Industry leading performance at low irradiation, +96.5% module efficiency from an irradiance of 1000W/m² to 200W/m² (AM 1.5, 25 °C)

MODULE | ENGINEERING DRAWING



ELPS CS6K-270MM | I-V CURVES



Partner Section

As there are different certification requirements in different markets, please contact your sales representative for the specific certificates applicable to your products. The specification and key features described in this Datasheet may deviate slightly and are not guaranteed. Due to on-going innovation, research and product enhancement, Canadian Solar Inc. reserves the right to make any adjustment to the information described herein at any time without notice. Please always obtain the most recent version of the datasheet which shall be duly incorporated into the binding contract made by the parties governing all transactions related to the purchase and sale of the products described herein.