

## Tools Required:

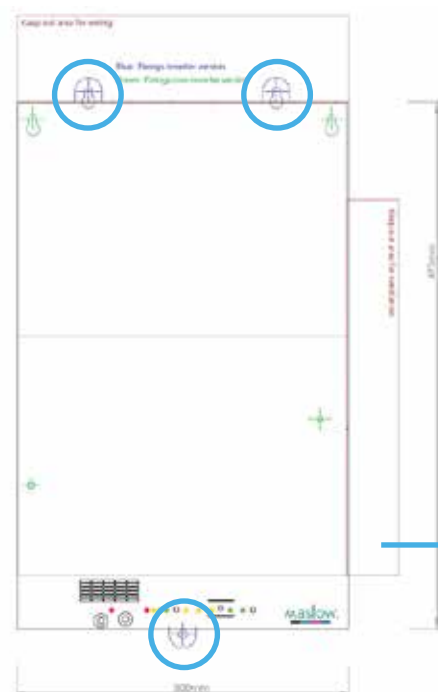
- A** Clamp meter
- B** Drill
- C** Smartphone or laptop
- D** 2.5 mm hex drive



## Step 1: Installation Stage

### Part 1

Using the template provided, fix Moixa securely to the wall



50MM MINIMUM  
VENTILATION  
AREA

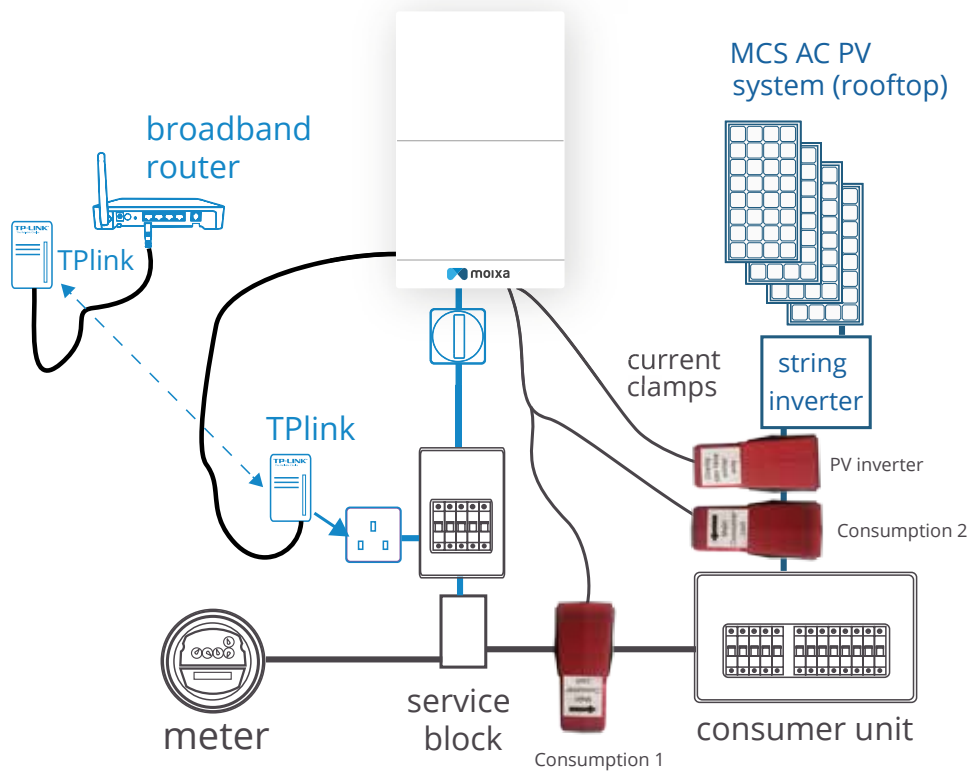
### Part 2

Connect batteries and **click** into place

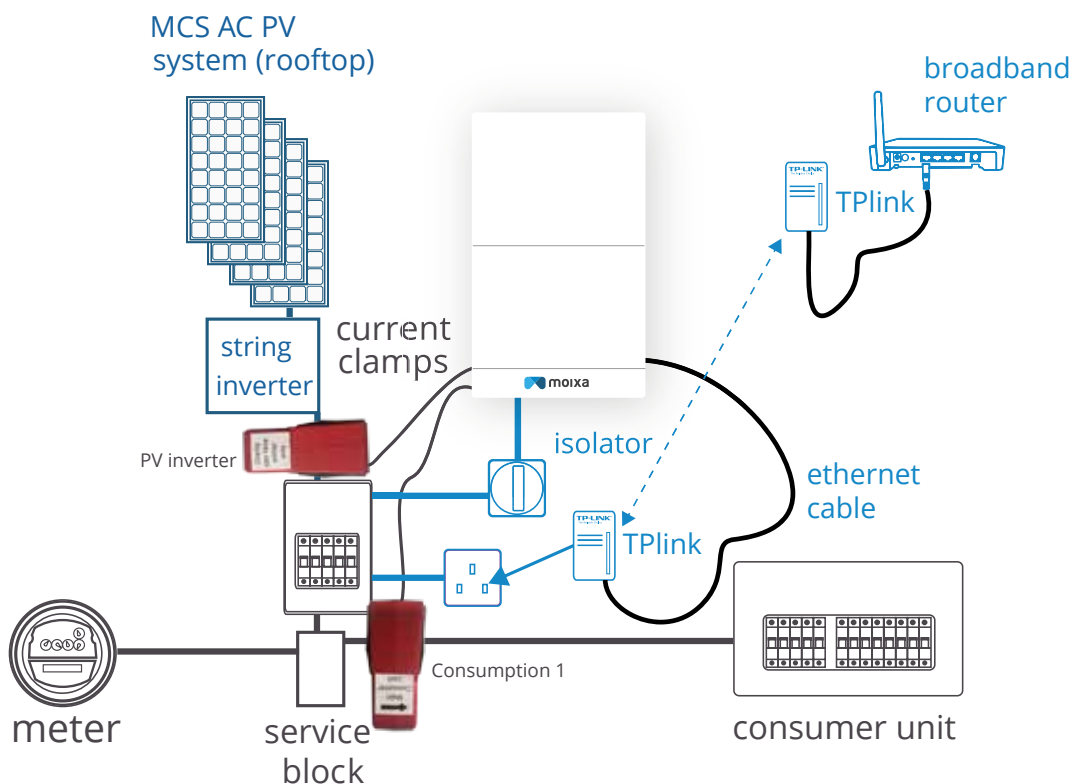


## Step 2: Configuring clamp meters

### 'Y Clamp Configuration' - PV included in consumption



### 'Single Clamp Configuration' - PV and consumption separated



**Y Clamps** Ensure the clamp's jaw are closed properly & clamps not touching

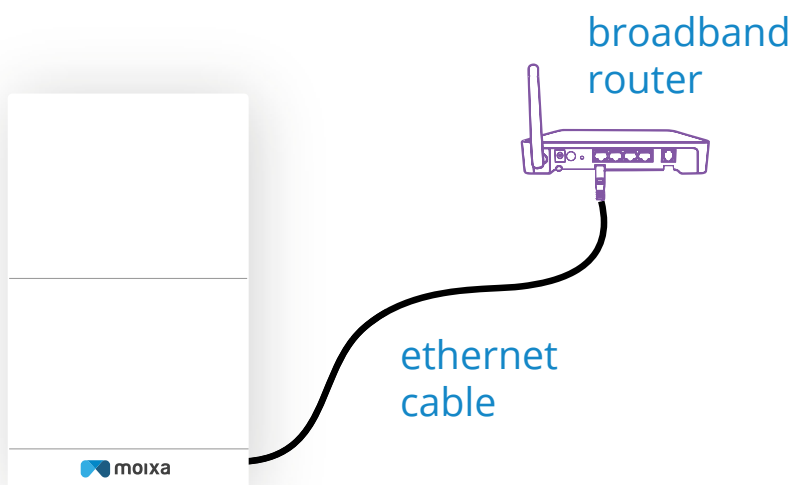


## Step 3: Data connection method

### Option 1: Ethernet

#### Direct ethernet cable

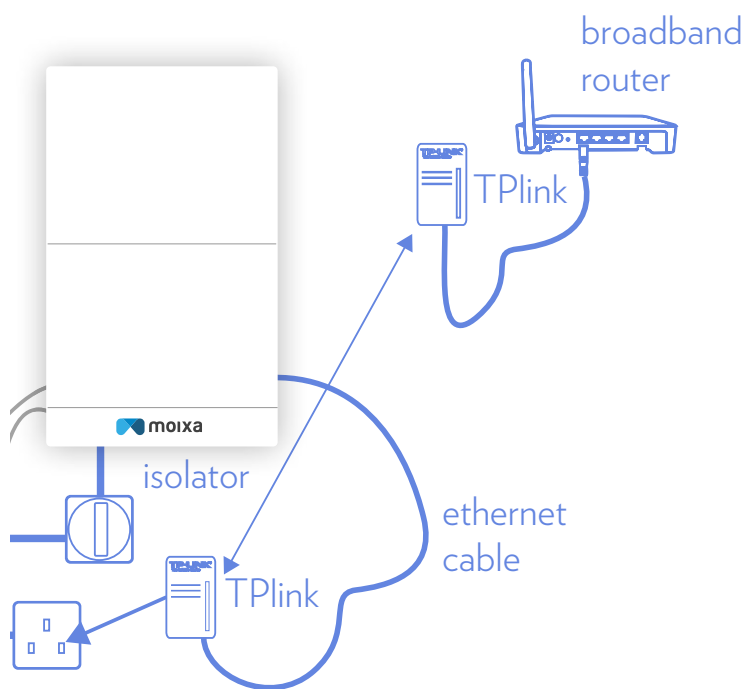
For ethernet connections to broadband the ethernet cable that is provided wired into the unit should be connected direct to a port on the broadband router.



#### Ethernet via TPlink

Use the plug-through TPlink next to the router to reduce the chance of it being unplugged by the client.

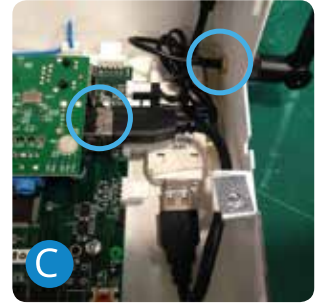
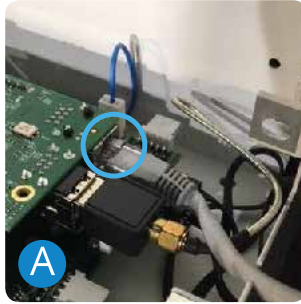
**N.B.** The TPlink adaptors may need to be paired. If the lights are not flashing on both units then push buttons.



## Option 2: WiFi connection

### WiFi hardware

Remove Moixa unit cover.  
Unplug ethernet cable (A)  
remove WiFi dongle (B)  
from bag and plug into  
USB port and screw onto  
chassis (C)  
Replace cover on Moixa  
unit




### Connecting unit to server over WiFi:

- i. Using your smartphone, search for Moixa's network:  
"Maslow-serialnumber"
- ii. Password: MaslowPass
- iii. Open your browser, go to: <http://10.74.8.254>
- iv. Input customer's network ID and password
- v. Click "set"



## Step 4: Commissioning

- a. Open a browser and go to: <http://www.moixa.com/install-form/>
- a. Submit the "Moixa Standard Installation Form"
- b. Ensure the unit is online
- c. Call Moixa technical support team to verify the installation
- d. Complete customer handover procedure

 Call Moixa: **0207 734 1511**