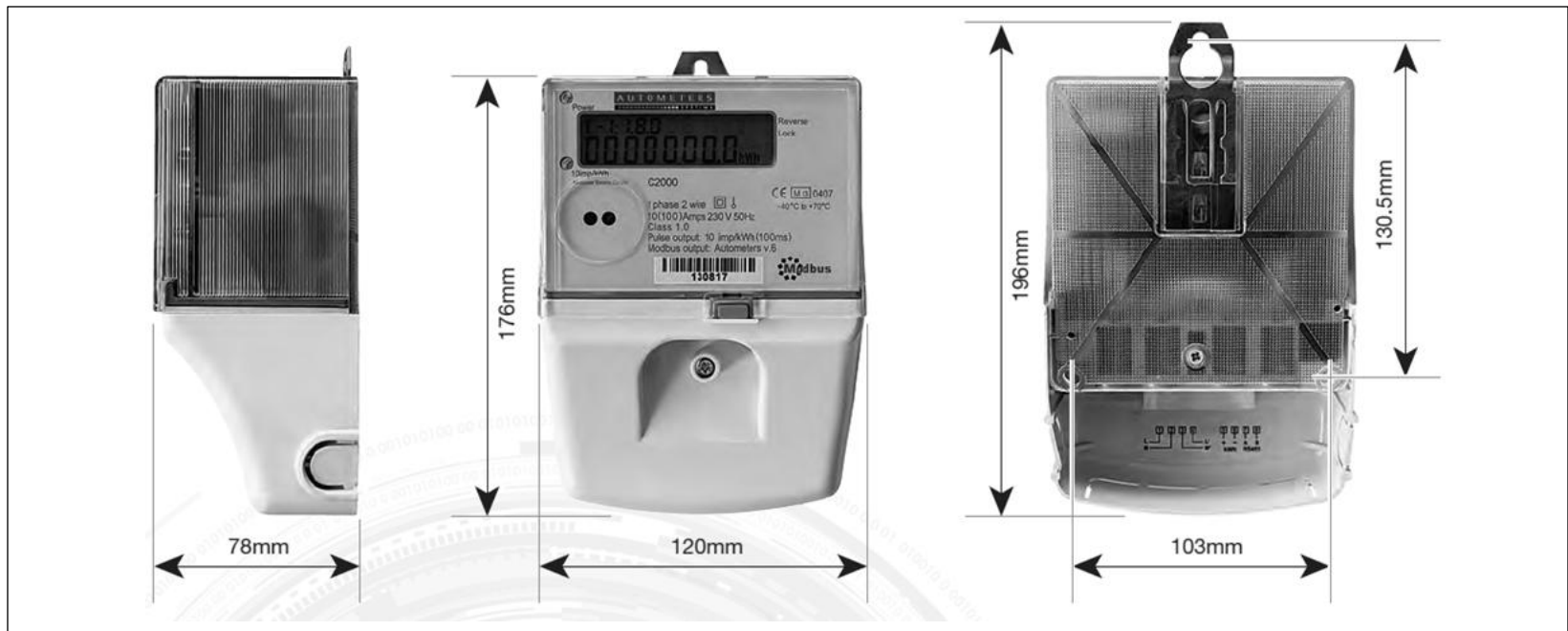
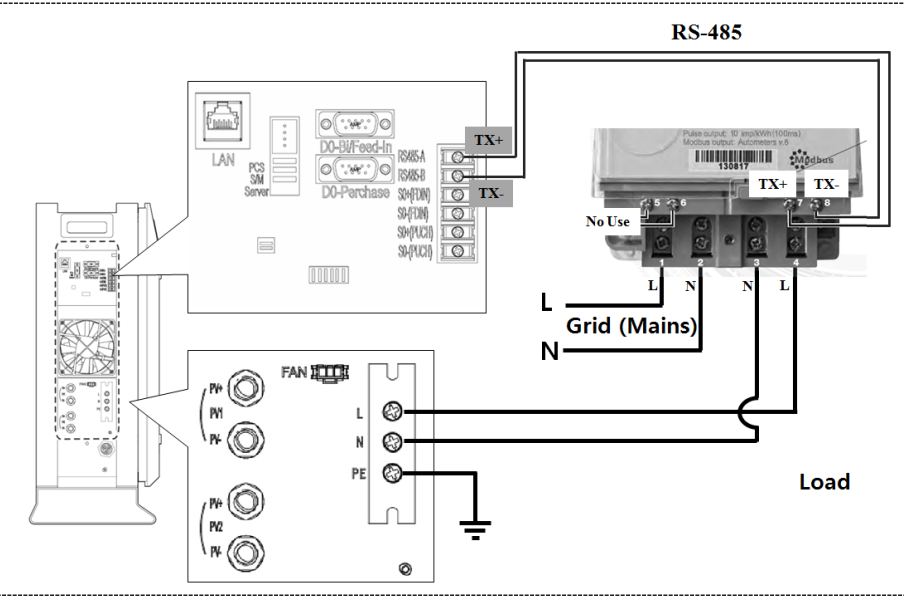
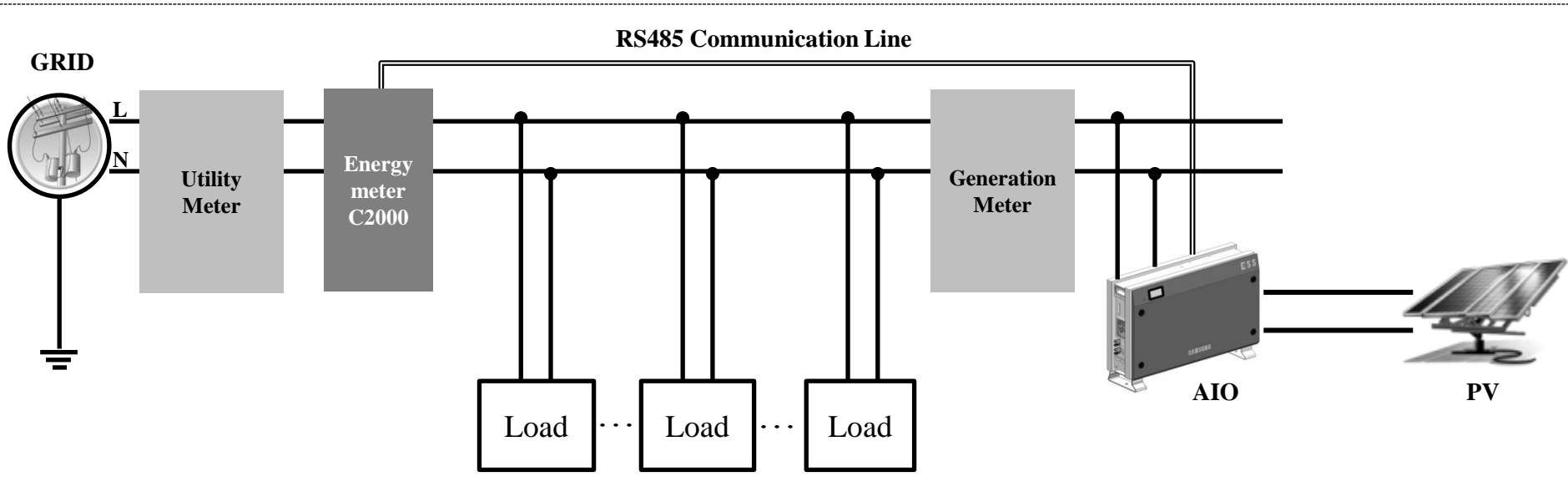


# Energy Meter Install Guide for UK - Overview (1/3)

<b>Item</b>	<b>EM24</b>
<b>Maker</b>	Autometers ▶ <a href="http://www.Autometers.co.uk">http://www.Autometers.co.uk</a> ▶ Tel : +44-161-861-9056
<b>Model Name</b>	C2000M
<b>Interface</b>	RS485-Modbus
<b>Direction</b>	Bi-directional
<b>Need Qty.</b>	1 ea



# Energy Meter Install Guide for UK – Wiring Diagram(2/3)



Meter (C2000M)	Grid/All-in-One Connection
(1) Live In	L (Grid)
(2) Neutral In	N (Grid)
(3) Neutral Out	Load - N (All-in-One)
(4) Live Out	Load - L (All-in-One)
(5) No Use	-
(6) No Use	-
(7) TX +	RS485-A (All-in-One)
(8) TX -	RS485-B (All-in-One)

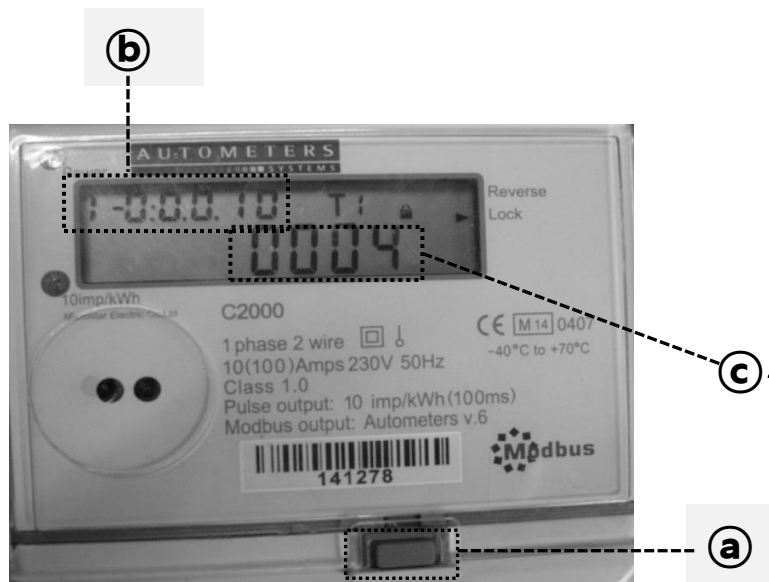
# Energy Meter Install Guide for UK - Setting (3/3)

## (C2000M Meter Setting)

1. Push the setting button (a).
  - ▶ Please keep pushing the Green button until the screen show [1-0:0.0.10] (b).  
And you can find the OBIS CODE [1-0:0.0.10] as below picture.
2. C2000M Meter is set to have default value of 1~4.
  - Check if the value shown here is within the default range above (c).
  - ※ For C2000M, you can not change the setting of its values. You can only read the value that is shown in the display (Read Only). Check the Modbus address.

## (All-in-One Setting)

3. Set the above value (c) as the Modbus address of the SIM.



MENU LIST	
Install Setting	
Operating Test	
- EMS S/W : V01.03 (Feb 2 2015) - ENG - EMS H/W : V6	

Install Setting Menu	
Product Information	
S/N :	TESTBED-0203-45678901
Country: <input type="text" value="United Kingdom"/>	Region : <input type="text" value="London"/>
installed PV-1 Power:	<input type="text" value="3300"/> [W] (Range : 0 ~ 3300 W)
installed PV-2 Power:	<input type="text" value="3300"/> [W] (Range : 0 ~ 3300 W)
Feed In Limit percentage	<input type="text" value="unLimited"/>
Server IP	<input type="text" value="112.106.12.149"/>
Server Port	<input type="text" value="80"/>
Output Max Power	<input type="text" value="4.6 kW"/>
Automatic Operation type	<input checked="" type="checkbox"/> Smart Mode , <input type="checkbox"/> Basic Mode (* The "Smart" type is more advanced Algorithm.)
Smart Meter Selection	
Meter Type : <input type="text" value="D0 (Bi-Direction)"/>	
D0 - Meter Model Selection	
D0-Bi/Feed-In	<input type="text" value="10: C2000 (Autometers)"/>
Modbus Address	<input type="text" value="4"/> (1~247 : * C2000 meter only) (Press button of C2000, to "1-0:0.0.10" field)
Date/Time Setting	
Year/Month/Day	<input type="text" value="2015"/> / <input type="text" value="2"/> / <input type="text" value="5"/>
Hour:Minute:Second	<input type="text" value="1"/> : <input type="text" value="27"/> : <input type="text" value="46"/>
<input type="button" value="SAVE and ReSTART"/>	

# Annex. Detailed Wire Diagram

