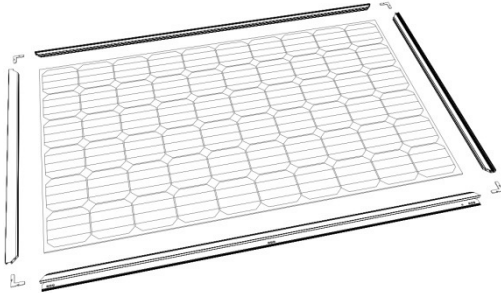


Instructions for assembly of SolFit framing system

Stage 1



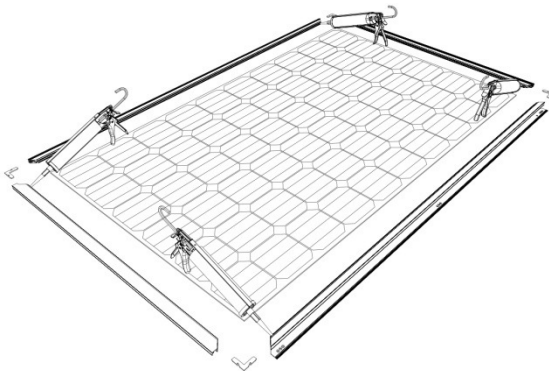
Lay out on a flat clean surface

4 x frame profile

4 x corner cleats

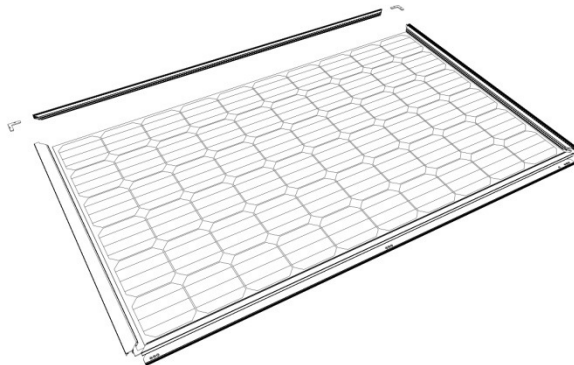
1 x PV laminate

Stage 2



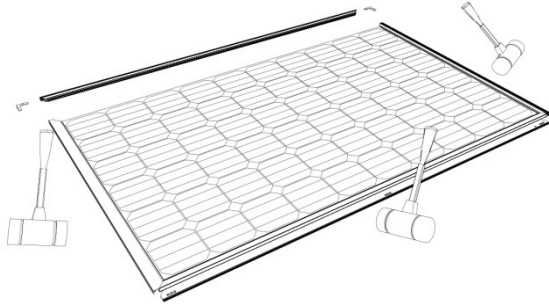
**Insert mastic Dow-Corning
Sealant 7091 type or similar into
laminate grip zone**

Stage 3



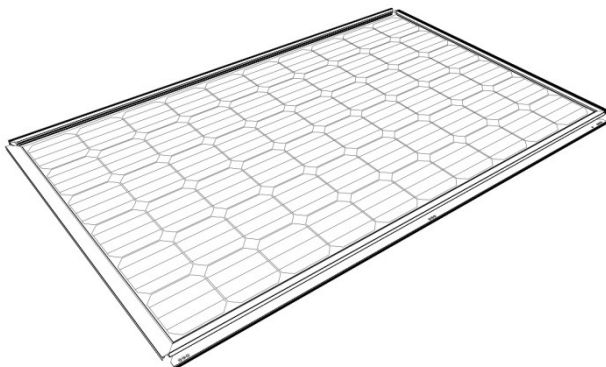
**Position corner cleats into bottom
profiles of and LHS & RHS profile**

Stage 4



**Use rubber mallet to knock
corner cleats and profiles into
position**

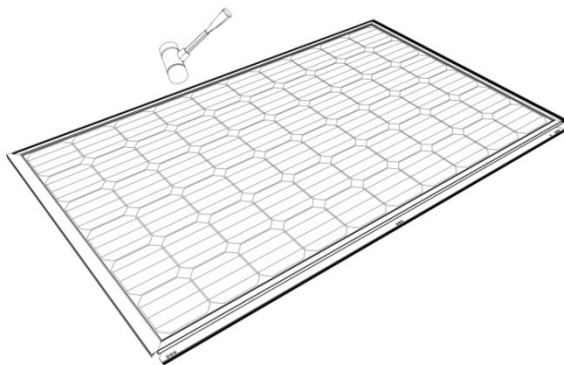
Stage 6



**Insert corner cleats into top
profile**

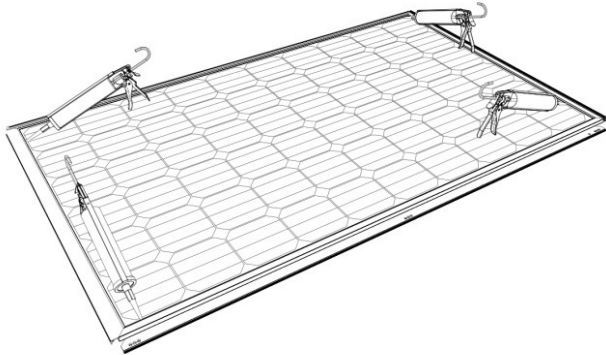
Position cleats into side profiles

Stage 7



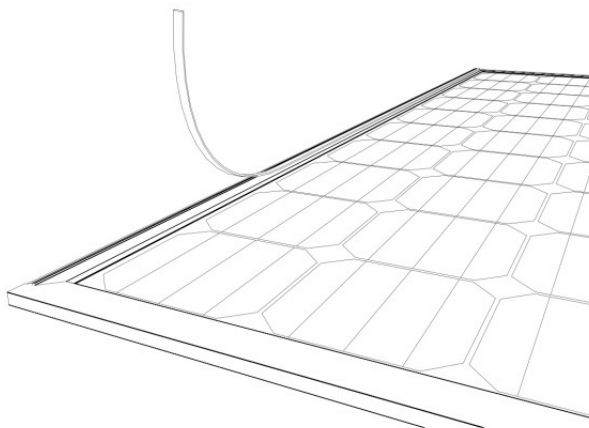
**Hammer top profiles into position
with rubber mallet**

Stage 8



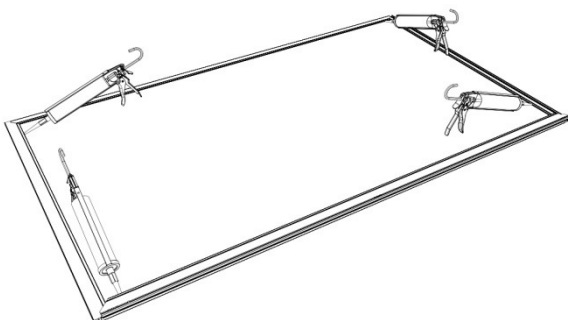
Fill any gaps that have not been filled with ejected mastic

Stage 9



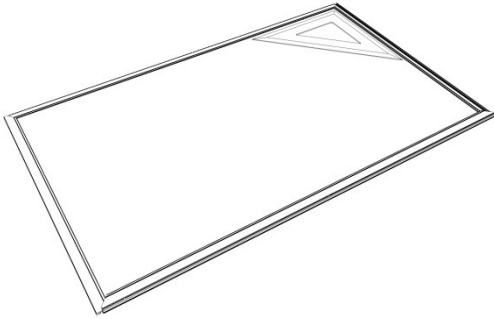
Apply top sealing strip to top profile of panel

Stage 10



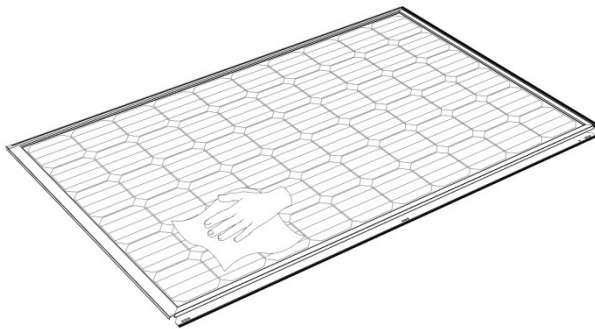
Rotate solar panel exposing the back of panel. Fill any gaps not filled with ejected mastic

Stage 11



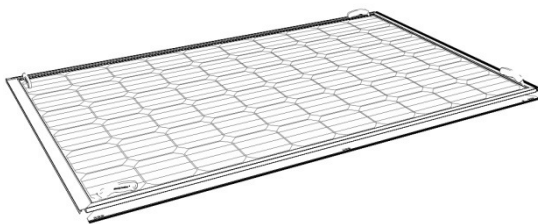
Make sure the frame is square

Stage12



Let mastic dry then cut off excess mastic with razor blade

Stage 13



Wipe surface clean with an approved solvent based cleaning product

Protective equipment to be worn when assembling panels

